

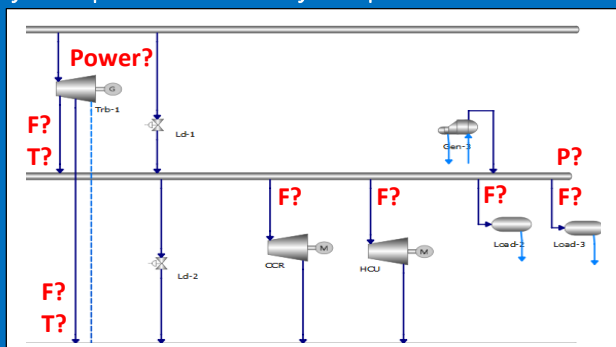
i-Steam™ is the latest, leading edge software tool from PIL for the Modelling, Simulation and Optimisation of Steam Systems

i-Steam™ is a user friendly software tool that allows a user to analyse their utility system and identify hidden opportunities to unlock cost savings and boost profits within their steam network. i-Steam™'s advanced algorithms improve the design and efficiency of any steam system and minimise operating costs.



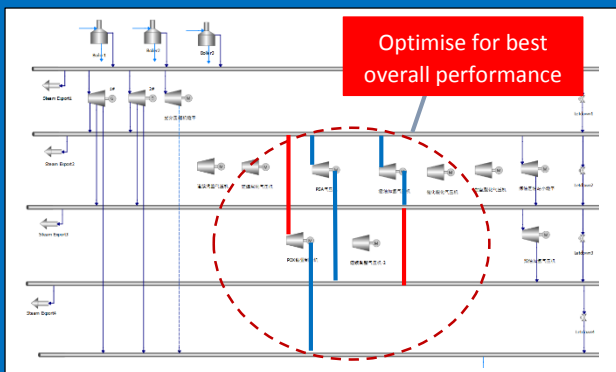
Unique Features

i-Steam™ has a non-linear approach that calculates optimal operating conditions for your steam system. This includes the steam distribution within the CHP plant and overall site steam distribution, system pressures and key temperatures.



This unique feature provides a much more detailed and accurate result and presents more opportunities to improve performance by managing its operation more effectively.

i-Steam™ selects between motor and turbine for all power demands within the utility system based on steam level conditions and steam distribution.



By determining the optimal configurations of process steam drivers you can significantly improve efficiency and reduce your operating costs.

Technical Features

➤ Targeting and Graphical Analysis

i-Steam™ contains sophisticated targeting tools to identify the best energy performance for a site under a range of different operation scenarios.

➤ Modelling and Simulation of Utility Systems

The tool includes a comprehensive suite of unit operation models such as steam and gas turbines. When combined with i-Steam™ drag and drop environment the user can easily create full utility system model.

➤ Comprehensive Modelling and Simulation CHP + Steam Pipeline + Processes

With i-Steam™, practical utility systems are modelled accurately to include for example detailed steam and pipeline systems with point to point calculations.

➤ Performance Regression tool

For important equipment items such as boilers and steam turbines, i-Steam™ provides a regression tool to produce full and part-load performance models using real time operating data.

"i-Steam™ is a tried and tested tool that will help you improve the profitability and performance of your utility system"

Using the latest patented protected technology, i-Steam™ designs, models and optimises your new or existing steam system so you can be sure to always get maximum performance from your network

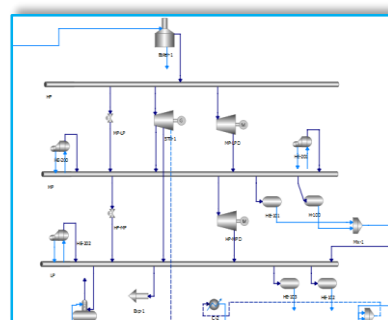
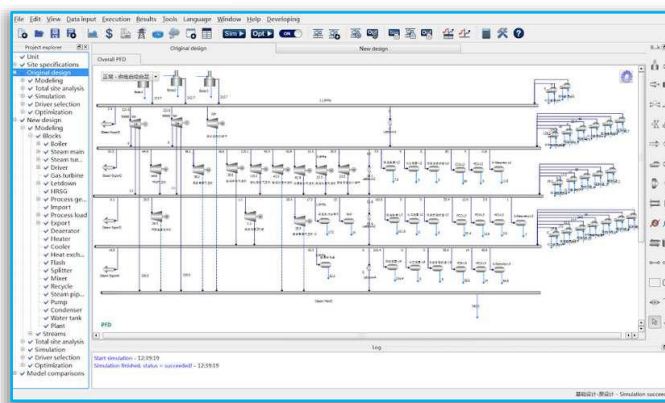
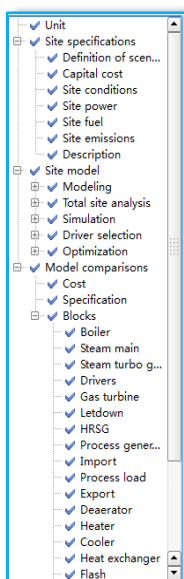


Usability Features

- **Model management and multi scenario management**
A tool to help a user easily organise the various operating scenario models and compare their results
- **Real-time simulation, real time reminding**
i-Steam™ adopts an advanced real-time simulation strategy. It simulates as the users add details to the system model. The simulation status is indicated on each block/stream icon so the user knows what items require further specifications and knows when the system is completely defined and simulated
- **Degrees of Freedom**
I-Steam™ controls the degrees of freedom in individual blocks. For equipment with multiple inlets and /or outlets, i-Steam™ controls the degrees of freedom by responding to the user input instantly. This avoids over-specification or under-specification problems in modelling.
- **Languages**
The Software can switch between English and Chinese Languages

Simulate & Optimise in Flowsheet

Design & Targeting Tools



With a Simple Drag & Drop Environment It is quick and Easy to Model your System

Convenient PFD View and Editing

Project Explorer for Data Management & Scenario Management

For more information on i-Steam™ please contact us on:
T: +44 (0)161 974 0090
E: info@processint.com
W: www.processint.com

